

Assembly Guide of CM4 IO Case

1. Introduction:

- CM4 IO Case is specially designed for Raspberry Pi Compute Module 4 IO Board (CM4 IO Board), It protects the circuit board and reduces the temperature of CM4 module.
- A silent fan is installed over the CM4 Module, it protects CPU, PMU & wireless module from overheating and ensure the system work reliably.
- A switch controls the CM4 IO Board power on & off.
- Dimension (excluding antenna): 171.5 mm(L) x 109.5 mm(W) x 28.5 mm(H)

2. Assembly Guide:

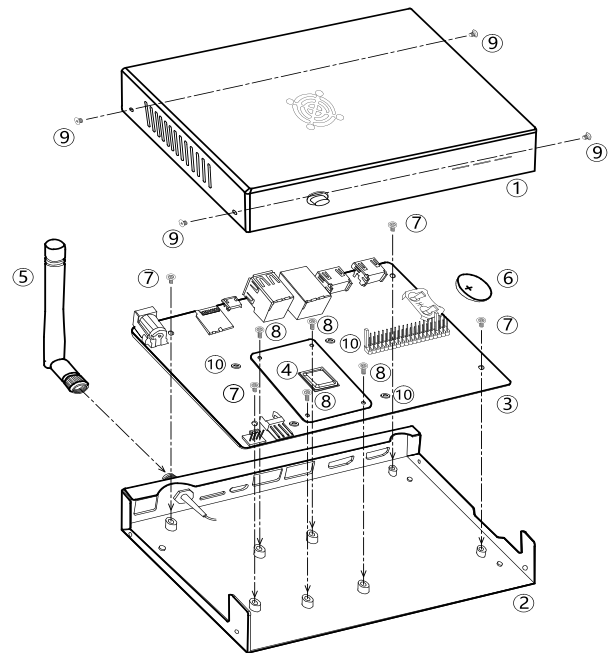
① Special notice:

- Electrostatic discharge protection is necessary to prevent the electrostatic damage before assembling CM4 IO Board and CM4 Module.
- Please do not plug the power supply into the CM4 IO Board before assembly, otherwise it may damage the board or cause short circuit.
- Please don't screw before you put 4 black nylon washers under the corners of CM4 Module to support Module PCB, otherwise it may cause deformation and damage of CM4 Module.
- The positive pole of the button battery should be on the top side when insert it into the battery holder on the CM4 IO Board.
- The On/Off switch requires software support. The software installation guide can be obtained from the following QR code or your local supplier.



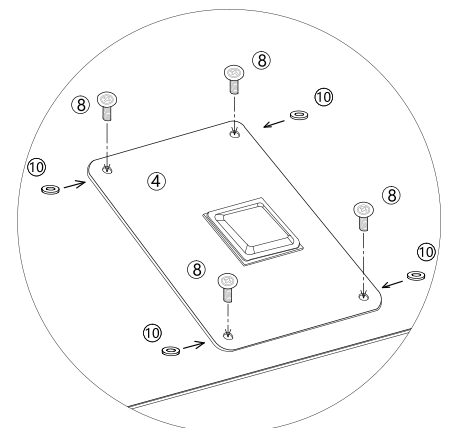
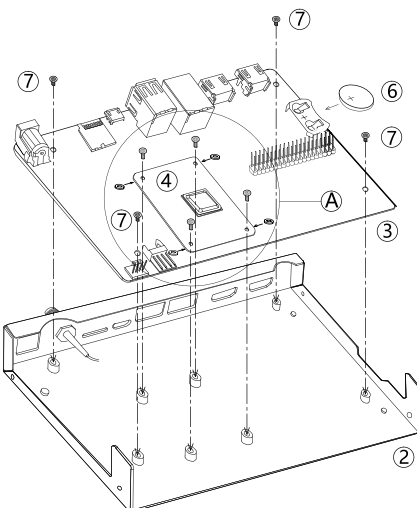
② The List of Parts:

NO.	Part List	Quantity (PCS)
①	Upper Case	1
②	Bottom Case	1
③	CM4 IO board (Not provided)	1
④	CM4 module (Not provided)	1
⑤	Antenna	1
⑥	Coin Battery	1
⑦	Screws M2.5*4mm	4
⑧	Screws M2.5*6mm	4
⑨	Screws M3*4mm	4
⑩	Nylon washers 6mm*1.5mm	4



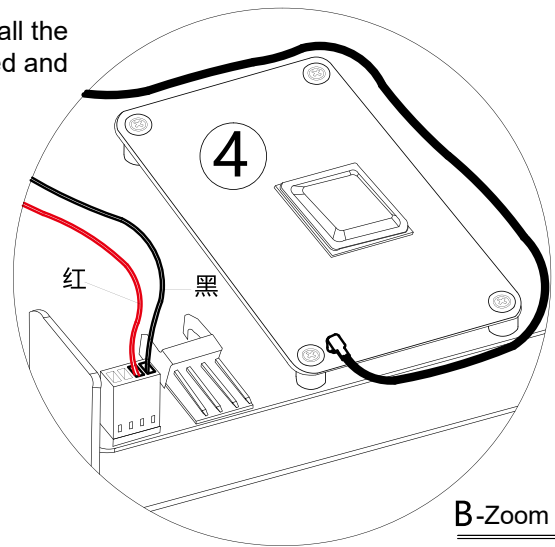
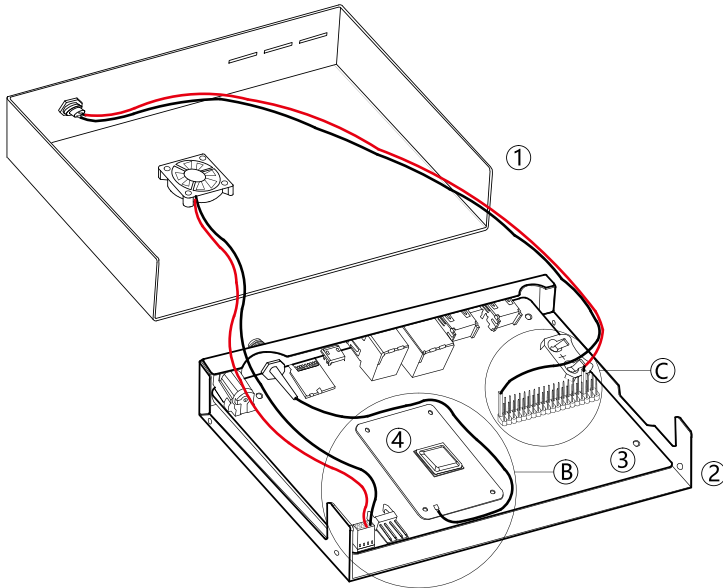
③ Assembly Chart

a) Insert the coin battery into the battery holder on CM4 IO Board, please make sure the positive pole of the battery on the top side. Install the CM4 Module on the CM4 IO Board, and crew the circuit board on the bottom case; Insert the four black nylon washers under CM4 Module from side, make sure 4 holes of CM4 and washers aligned then install the screws.

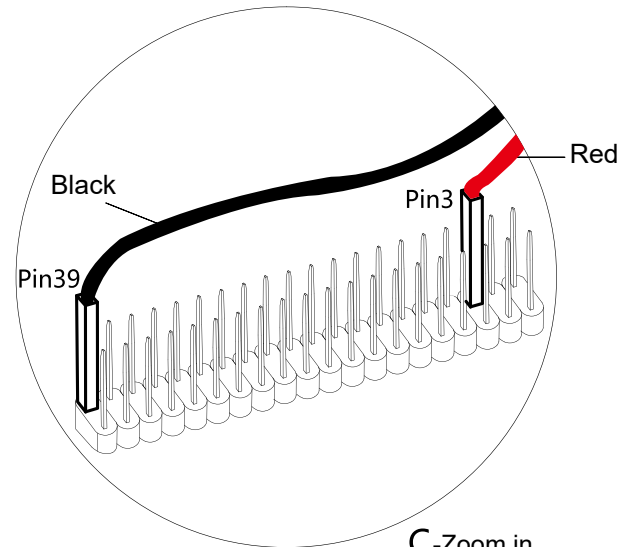


A -Zoom in

b) Plug the fan connector on connector-J17 of CM4 IO board, install the antenna plug on the RF connector of the CM4 Module. Plug the red and black wires of switch into the J8 - 40pin GPIO connector on the CM4 IO Board, the red wire is inserted into Pin 3, the black wire is inserted into Pin39.

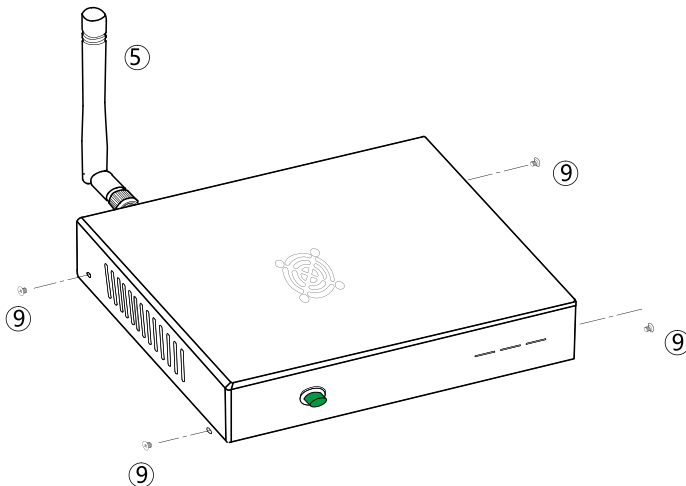


B-Zoom in



C-Zoom in

c) Screw the enclosure and screw the external antenna to SMA RF connector on the case.



3. Power on and Start:

Please make sure the air entrance of the fan is unblocked, otherwise it will impact the cooling performance even damage the fan.

A. Please plug in the HDMI cable, network cable, SD card (CM4 Lite version required).

B. Plug in the 12V@2A power supply and power up the system.

C. Follow the software installation guide to install the software, after completing the installation, power off and reboot.

D. Shutdown: when the CM4 IO Board is under operation, press the switch button and the system will implement shutdown instruction. Please don't disconnect the power supply before the RED LED (Power Indication) is turned off.

E. Restart: Press switch button when the power supply is connected with CM4 IO board, system will restart.